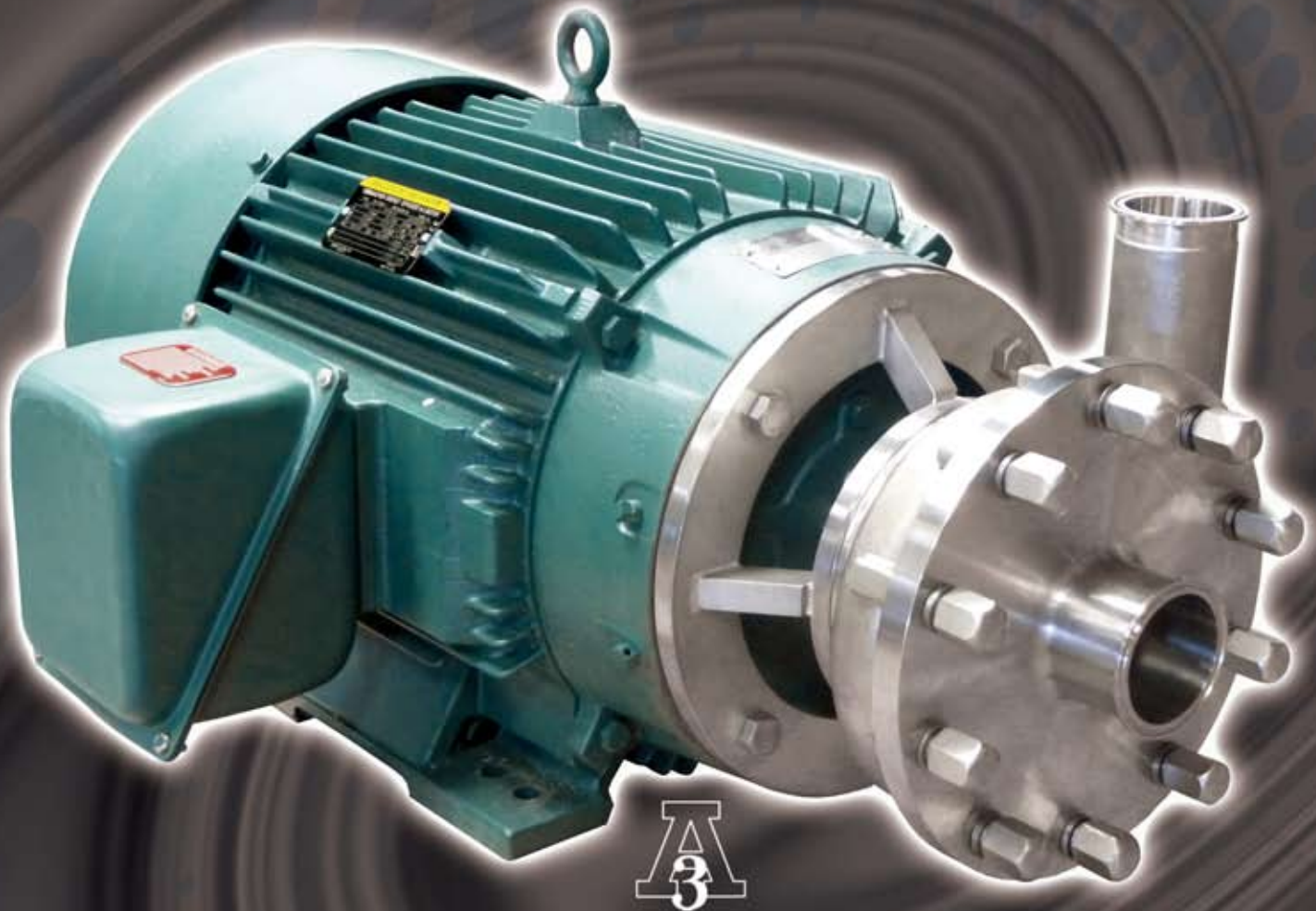


Ampco Pumps Company

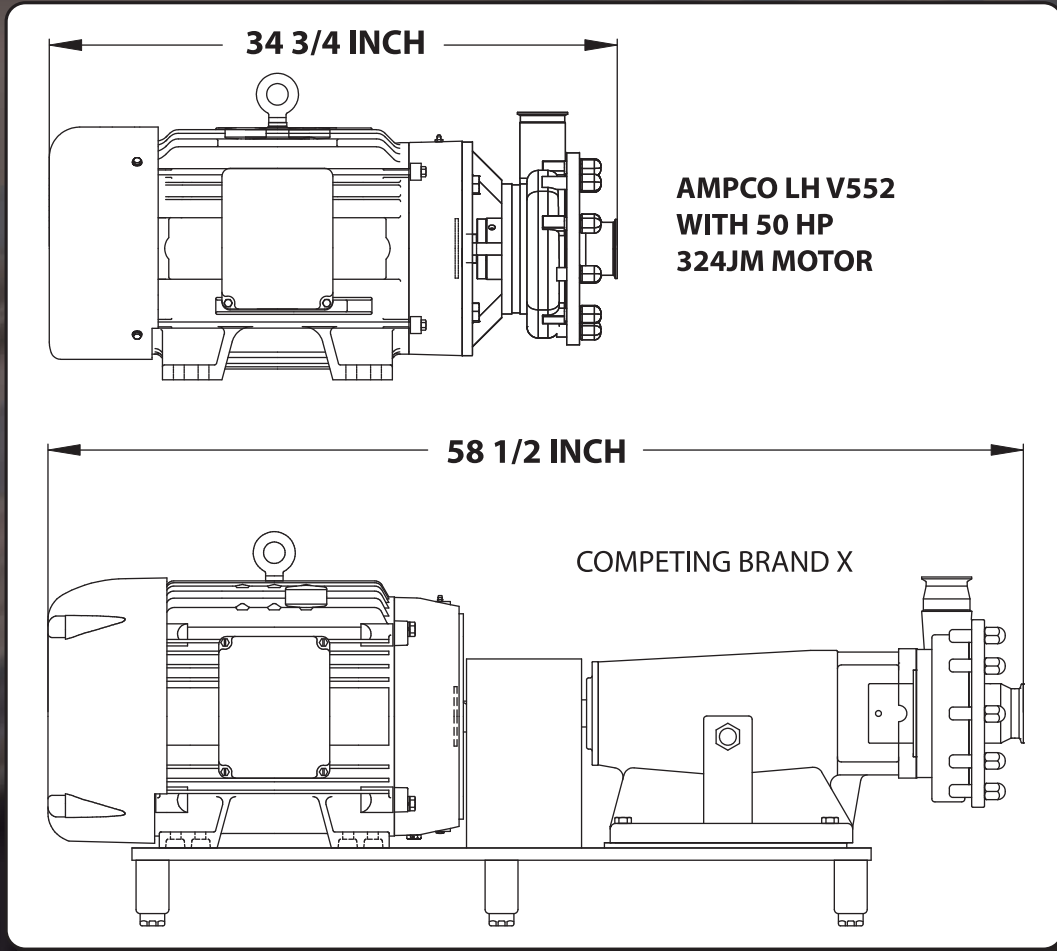
Ampco
introduces the
LH SERIES PUMP



LH Series of Close-coupled High Pressure Centrifugal Pumps Offer:

- Maximum inlet pressure of 600 psi**
- Close-coupled, premium efficiency motors with JM frames**
- Custom motor shaft made of AISI 4150 steel**
- Custom bearings with an L10 life of 30,000 hrs**
- High pressure seals with silicon carbide faces**
- Lip seal option for applications requiring flush**
- Standard stainless steel adapter**

**Ampco's LH Series
of High Pressure Centrifugal Pumps offer significant space savings
and eliminate alignment problems**



LH Pumps are available in 3 models ranging from 15 HP to 75 HP

